

TI Designs: TIDA-010016

8ポートのIO-Link[®]マスタのリファレンス・デザイン



概要

この8ポートの IO-Link[®]マスタを実装するリファレンス・デザインを使用して、高速なタイミングとサイクル・タイムを必要とするPLCアプリケーションを実現できます。OPC UA、Profinet、EtherCAT、Ethernet IPに接続するためのリモートIOゲートウェイを構築するために使用できます。PRUベースのフレーム・ハンドラにより、タイミングと時間同期を非常に柔軟に設定できます。このデザインは、ユニバーサルでスケーラブルなIO-Linkマスタを構築するため役立ちます。

リソース

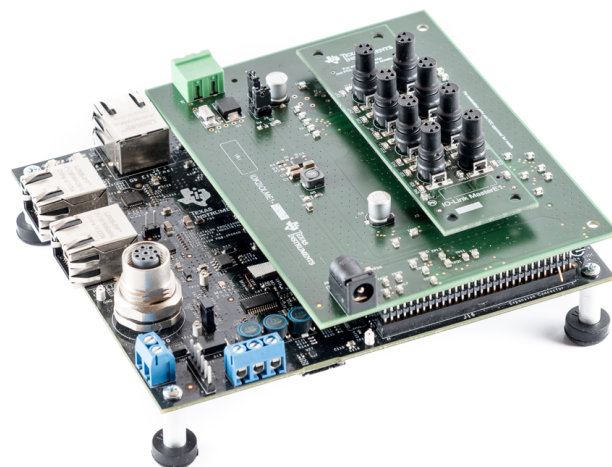
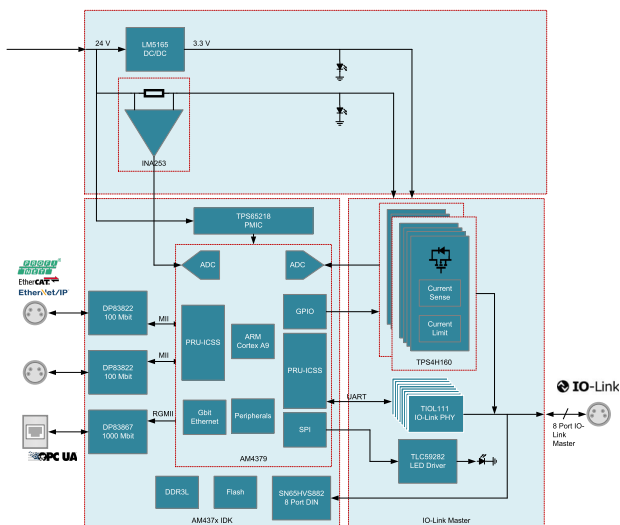
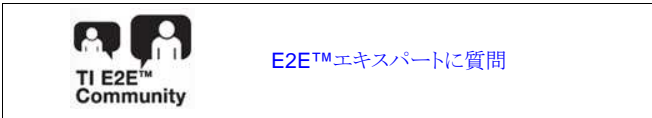
TIDA-010016	デザイン・フォルダ
TIOL111	プロダクト・フォルダ
INA253	プロダクト・フォルダ
TLC59282	プロダクト・フォルダ
LM5165	プロダクト・フォルダ
TPS4H160-Q1	プロダクト・フォルダ

特長

- 8つのIO-Linkポート
- COM1、COM2、COM3をサポート
- 400µsのサイクル・タイムをサポート
- ポートごとに500mAの電流
- すべてのポートは過電流保護および制限付き
- PRUフレーム・ハンドラにより柔軟なタイミングが可能

アプリケーション

- スタンドアロンのリモートIO
- 通信モジュール





使用許可、知的財産、その他免責事項は、最終ページにあるIMPORTANT NOTICE (重要な注意事項)をご参照くださいますようお願いいたします。

1 System Description

Sensors and actuators are the most basic units of automation, feeding information into and acting on instructions from networked systems. Traditionally, these devices connect to control units through interfaces that provide little intelligence, and thus exchange little or no configuration and diagnostic information. Installing a new device requires configuration by hand at the point of use, and without diagnostics it is impossible to perform just-in-time preventive maintenance.

IO-Link (International Electrotechnical Commission [IEC] 61131-9) is an open standards protocol that addresses the need for intelligent control of small devices such as sensors and actuators. This standard provides low-speed point-to-point serial communication between a device and a master that normally serves as a gateway to a fieldbus and PLC. The intelligent link established enables ease of communication for data exchange, configuration, and diagnostics.

An unshielded three-wire cable as long as 20 meters, normally equipped with M12 connectors, establishes an IO-Link connection. Data rates range up to 230 kbps with a nonsynchronous minimum cycle time of 400 μ s, +10%. Four operating modes support bidirectional input/output (I/O), digital input, digital output and deactivation. Security mechanisms and deterministic data delivery are not specified. A profile known as the IO Device Description (IODD) contains communication properties; device parameters; identification, process and diagnostic data; and information specifically about the device and manufacturer.

The many advantages of an IO-Link system include standardized wiring, increased data availability, remote monitoring and configuration, simple replacement of devices and advanced diagnostics. IO-Link permits factory managers to receive sensor updates and plan for upcoming maintenance or replacement. Swapping out a sensing or actuation unit that needs replacement and configuring a new one from the PLC through the IO-Link master eliminates manual setup and reduces downtime. Switching production remotely from one configuration to another without visiting the factory floor facilitates easier product customization. Factories can upgrade production lines readily to IO-Link, since it is backwards-compatible with existing standard I/O installations and cabling. Altogether, these capabilities result in reduced overall costs, more efficient processes, and greater machine availability.

1.1 Key System Specifications

表 1. Key System Specifications

PARAMETER	SPECIFICATIONS	DETAILS
Input voltage	External 24-V power supply	2.3.4
Input current	Depending on connected load (5 A recommended)	2.3.4
Output voltage	24 V	2.3.3
Output current per port	500 mA	2.3.3
Total output current	4 A	2.3.3
Number of IO-Link master ports	8	
Number of Ethernet ports	2	
Supported IO-Link data rates	COM1, COM2, COM3	
Supported IO-Link cycle time	400 μ s	
Frame handler		2.4.1
Oversampling factor	8 times	
Sampling frequency	Up to 1.8432 MSPS per channel (COM3)	
Supported IO-Link transmission rates	COM3, COM2, COM1	

表 1. Key System Specifications (continued)

PARAMETER	SPECIFICATIONS	DETAILS
Equivalent Baud-rate	230.4 kbaud, 38.4 kbaud, 4.8 kbaud	
RX buffer size	128 bytes	
TX buffer size	2 x 128 bytes (double send buffer)	
Start bit and bit filter	Based on look-up table (can be adjusted)	
Parity check	Supported	
T1 time (UART frame transmission delay, master)	0 Tbit	
T2 time check (UART frame transmission delay, device)	Supported, hard coded to 5	
Ta time check (maximum response time)	Supported and user adjustable by register	

2 System Overview

2.1 Block Diagram

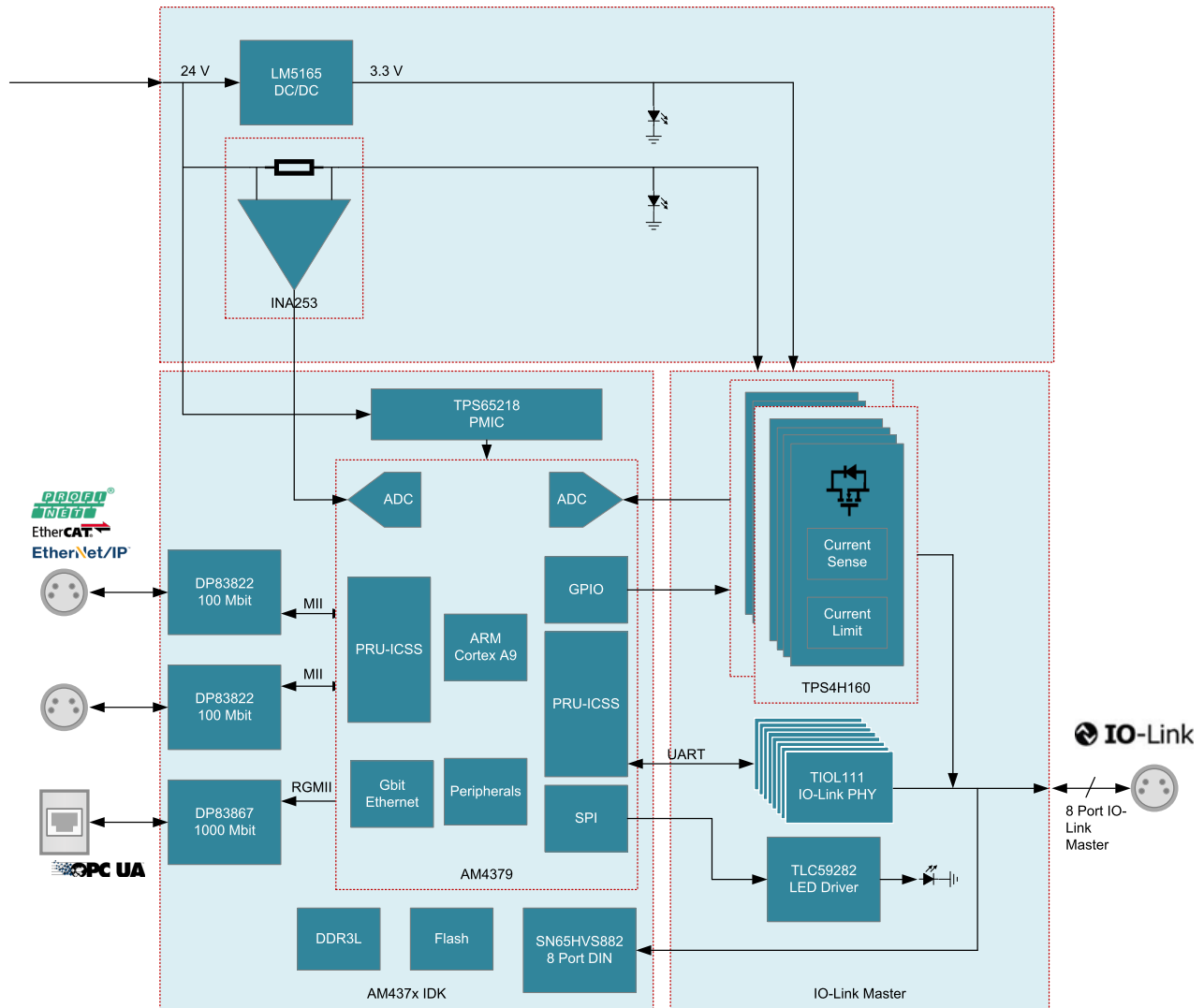


図 1. TIDA-010016 Block Diagram

2.2 Highlighted Products

This reference design uses TIOL111, TPS4H160, and TLC59282 on the one PCB for handling the main IO-Link master functionality. LM5165 and INA253 are used and the IDK adapter board for power supply and current monitoring.

2.2.1 LM5165

The LM5165 converter is an easy-to-use synchronous buck DC-DC regulator that operates from a 3-V to 65-V supply voltage. The device is intended for step-down conversions from 3.3-V, 5-V, 12-V, 24-V, and 48-V unregulated, semi-regulated and fully-regulated supply rails. With integrated high-side and low-side power MOSFETs, the LM5165 delivers up to 150-mA DC load current with high efficiency and ultra-low input quiescent current in a very small solution size. Designed for simple implementation, a choice of operating modes offers flexibility to optimize its usage according to the target application. In constant on-time (COT) mode of operation, ideal for low-noise, high current, fast load transient requirements, the device operates with predictive on-time switching pulse. A quasi-fixed switching frequency over the input voltage range is achieved by using an input voltage feedforward to set the on-time. Alternatively, pulse frequency modulation (PFM) mode, complemented by an adjustable peak current limit, achieves exceptional light-load efficiency performance. Control-loop compensation is not required with either operating mode, reducing design time and external component count.

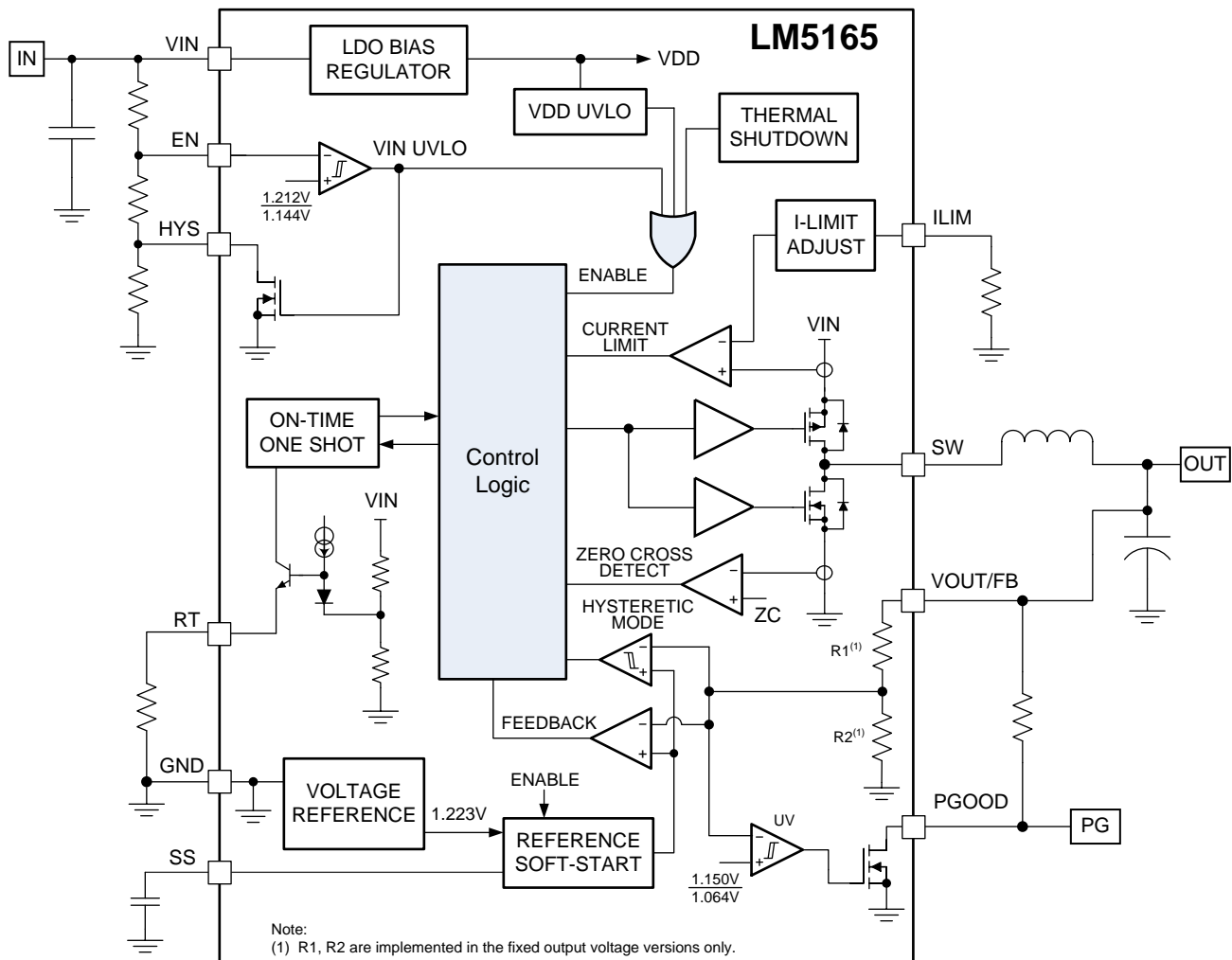


図 2. LM5165 Block Diagram

Key features relevant for this design are:

- Wide input voltage range of 3 V to 65 V
- Fixed 3.3-V output voltages

- 150-mA synchronous buck converter
- Integrated 2-Ω PMOS buck switch
- Integrated 1-Ω NMOS synchronous rectifier
 - Eliminates external rectifier diode
- Selectable PFM or COT mode operation
- No loop compensation or bootstrap components

This device allows to easily implement a small power supply solution with a wide input-voltage range.

2.2.2 TLC59282

The TLC59282 is a 16-channel, constant-current sink LED driver. Each channel can be turned on and off by writing serial data to an internal register. The constant-current value of all 16 channels is set by a single external resistor.

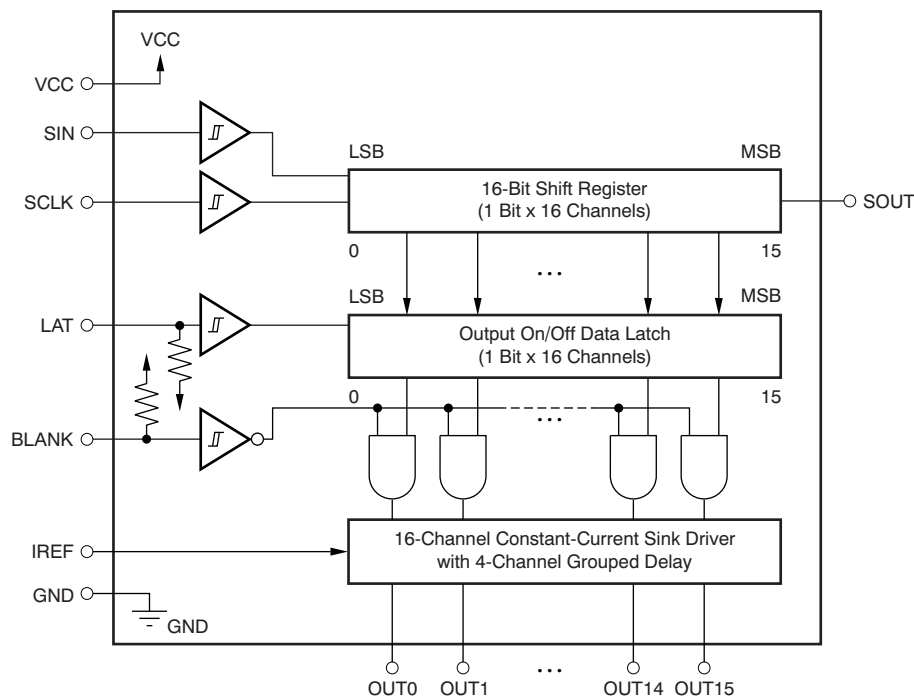


図 3. TLC59282 Block Diagram

Key features relevant for this design:

- 16 channels, constant-current sink output with on and off control
- 35-mA capability (constant-current sink)
- VCC = 3.0 V to 5.5 V
- Serial Peripheral Interface (SPI)

2.2.3 TPS4H160-Q1

The TPS4H160-Q1 device is a smart high-side switch, with internal charge pump and quad-channel integrated NMOS power FETs. Full diagnostics and high-accuracy current-sense features enable intelligent control of the load. The adjustable current-limit function greatly improves the reliability of whole system. The device has two versions with different diagnostic reporting, the open-drain digital output (version A) and the current-sense analog output (version B).

For version A, the device implements the digital fault report with an open-drain structure. When a fault occurs, the device pulls STx down to GND. A 3.3- or 5-V external pullup is required to match the microcontroller supply level. The digital status of each channel can report individually, or globally by connecting the STx pins together.

For version B, high-accuracy current sense makes the diagnostics more accurate without further calibration. One integrated current mirror can source $1 / K(\text{CS})$ of the load current. The mirrored current flows into the CS-pin resistor to become a voltage signal. $K(\text{CS})$ is a constant value across temperature and supply voltage. A wide linear region from 0 V to 4 V allows a better real-time load-current monitoring. The CS pin can also report a fault with pullup voltage of $V_{\text{CS}}(\text{H})$.

The external high-accuracy current limit allows setting the current-limit value by applications. When overcurrent occurs, the device improves system reliability by clamping the inrush current effectively. The device can also save system cost by reducing the size of PCB traces and connectors, and the capacity of the preceding power stage. Besides, the device also implements an internal current limit with a fixed value.

For inductive loads (relays, solenoids, valves), the device implements an active clamp between drain and source to protect itself. During the inductive switching-off cycle, both the energy of the power supply and the load are dissipated on the high-side switch. The device also optimizes the switching-off slew rate when the clamp is active, which helps the system design by keeping the effects of transient power and EMI to a minimum.

The TPS4H160-Q1 device is a smart high-side switch for a wide variety of resistive, inductive, and capacitive loads, including low-wattage bulbs, LEDs, relays, solenoids, heaters, and sub-modules.

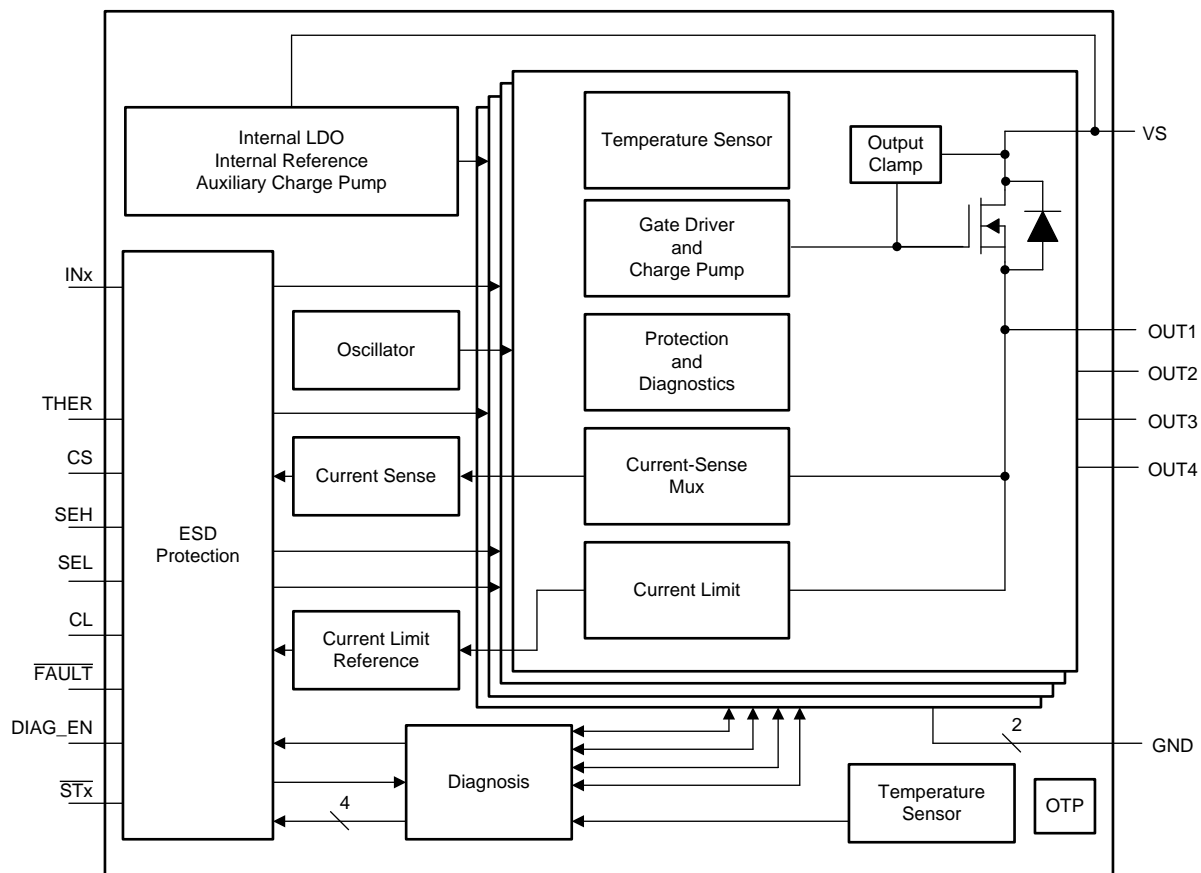


図 4. TPS4H160 Block Diagram

Key features that are of interest here:

- Quad-channel 160-mΩ smart high-side switch with full diagnostics
 - Version A: Open-drain digital output
 - Version B: Current-sense analog output
- Wide operating voltage 3.4 V to 40 V
- High-accuracy current sense: $\pm 15\%$ under >25 - mA load
- Adjustable current limit with external resistor, $\pm 15\%$ under >500 -mA load
- Protection
 - Short-to-GND protection by current limit (internal or external)
 - Thermal shutdown with latch off option and thermal swing
 - Inductive load negative voltage clamp with optimized slew rate
 - Loss-of-GND and loss-of-battery protection
- Diagnostics
 - Overcurrent and short-to-ground detection
 - Open-load and short-to-battery detection
 - Global fault report for fast interrupt

A simple pin-programmable interface allows for easy interfacing to the controller circuits. The output current limit can be configured using an external resistor.

Fault reporting and internal protection functions are provided for undervoltage, short-circuit current, and overtemperature.

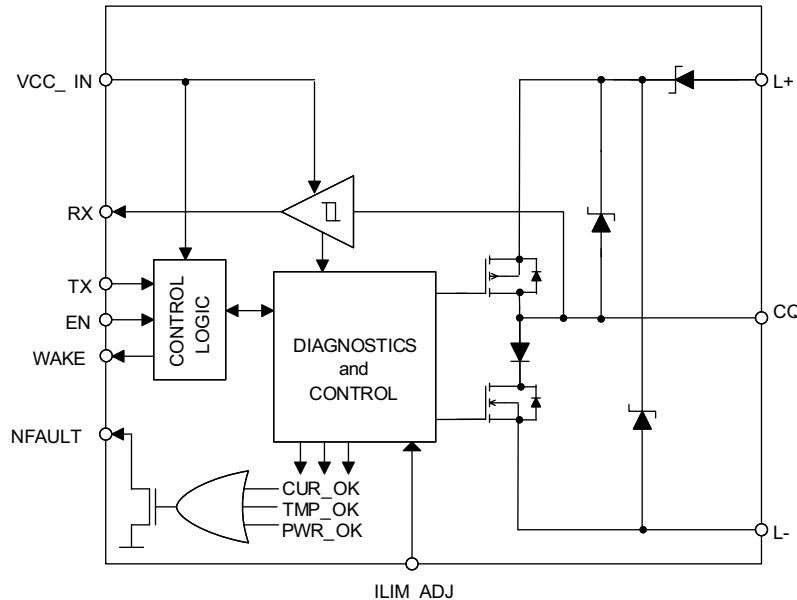


図 6. TIOL111 Block Diagram

Features of the TIOL111 device:

- PNP, NPN or IO-Link configurable output
 - IEC 61131-9 COM1, COM2 and COM3 data rate support
- 50-mA to 350-mA configurable current limit
- Tolerant to ± 65 -V transients $< 100 \mu\text{s}$
- Reverse polarity protection of up to 55 V on L+, CQ and L-
- Integrated EMC protection on L+ and CQ
- Integrated LDO options for up to 20-mA current

2.3 System Design Theory

This reference design implements an IO-Link master using the TIOL111 device PHY and surrounding components needed to build a complete IO-Link master design. Therefore, on the physical side in addition to the TIOL111 device, a power supply for the ports, as well as a current sink is necessary. Also the hardware must be able to drive the wake-up pulse.

On the other side it is necessary to have a hardware as well as frame handler that support all three communication speeds. The TIOL111 device used as PHY here can handle all speeds (COM1, COM2, COM3) the eight port frame handler is implemented on the PRU of the used AM437x.

To realize an eight-port master, eight TIOL111 devices are necessary; For each four ports, one TPS4H160 is necessary. Each port also needs one current sink. This results in only eight TIOL111 devices (IO-Link PHY), two TPS4H160 devices (high-side switch) and one TLC59282 device(LED driver).

2.3.1 IO-Link® PHY

The TIOL111 device used here has the main purpose to shift levels between the 3.3-V logic side and the 24-V interface. The optional internal LDO, the wake up detection and overcurrent detection is not used.

However, the TIOL111 device in master configuration has to be able to drive an IO-Link conform wake-up pulse. IO-Link devices start up in SIO mode and have to be configured to IO-Link prior to communication. So, the output is either on a low (around 0 V) or high level (around 24 V) and is driven. To switch the mode, the master has to send a pulse of 80- μ s length and must be able to drive 500 mA during this pulse and still reach a certain voltage. The device will switch to IO-Link mode after detection of this pulse and communication can begin.


The exact parameters for testing this are listed in the [IO-Link® Test Specification, Version 1.1.2](#), see [表 2](#) and [表 3](#). Both parts of the specification have to be met to be compliant.

表 2. Wake-Up Pulse Test Specification High Pulse

TEST CASE ATTRIBUTES	IDENTIFICATION, REFERENCE
Identification (ID)	SDCI_TC_0021
Name	TCM_PHYL_INTF_IQWUH
Purpose (short)	Driver capability of the wake-up pulse – high-side driver
Equipment under test (EUT)	Master and Legacy Master
Test case version	1.0
Category, type	Master protocol test; test to pass (positive testing)
Specification (clause)	See Section 5.3.3.3, Table 9 of IO-Link Interface and System Specification Version 1.1.2
Configuration, setup	–
TEST CASE	CONDITIONS, PERFORMANCE
Purpose (detailed)	The Master shall drive the resistive load above the threshold high level of a receiver. Measure pulse voltage at Master C/Q port with Master configured for SDCI. The pulse voltage is measured with a resistive load applied between C/Q and L–.
Precondition	Master configured to SDCI mode
Procedure	a) Apply minimum supply voltage (VSM = 20 V) to Master b) Apply resistive load Rload between C/Q and L–: $R_{load} = V_{THHM}_{max} / I_{QPKHM}_{min} = 26 \text{ Ohm}$ (51 Ohm shunted by 51 Ohm) c) Trigger on wake-up request d) Measure voltage at C/Q port during wake-up request e) Check if VIM is exceeding V_{THHM}_{max} f) Repeat test with maximum supply voltage (VSM = 30 V)
Input parameter	–
Post condition	–
TEST CASE RESULTS	CHECK, REACTION
Evaluation	–
Test passed	Level at C/Q during wake-up request greater than or equal V_{THHM}_{max}
Test failed (examples)	Level at C/Q during wake-up request less than V_{THHM}_{max}
Results	VIM@WURQ (VSM = 18 V): <value> VIM@WURQ (VSM = 30 V): <value>

表 3. Wake-Up Pulse Test Specification Low Pulse

TEST CASE ATTRIBUTES	IDENTIFICATION, REFERENCE
Identification (ID)	SDCI_TC_0023
Name	TCM_PHYL_INTF_IQWUL
Purpose (short)	Driver capability of the wake-up pulse – low-side driver
Equipment under test (EUT)	Master and Legacy Master
Test case version	1.0
Category, type	Master protocol test; test to pass (positive testing)
Specification (clause)	See <i>Section 5.3.3.3, Table 9 of IO-Link Interface and System Specification Version 1.1.2</i>
Configuration, setup	–
TEST CASE	CONDITIONS, PERFORMANCE
Purpose (detailed)	The Master shall drive the resistive load below the threshold low level of a receiver. Measure pulse voltage at Master C/Q port with Master configured for SDCI. The pulse voltage is measured with a resistive load applied between C/Q and L+.
Precondition	Master configured to SDCI mode
Procedure	a) Apply minimum supply voltage (VSM = 20 V) to Master b) Apply resistive load Rload between C/Q and L+: $R_{load} = (VSM - V_{THLM_{min}}) / I_{QPKL_{min}} = 24 \text{ Ohm}$ (47 Ohm shunted by 51 Ohm) c) Trigger on wake-up request d) Measure voltage at C/Q port during wake-up request e) Check if VIM is below $V_{THLM_{min}}$ f) Repeat test with maximum supply voltage (VSM = 30 V) to Master: $R_{load} = 44 \text{ Ohm}$ (82 Ohm shunted by 100 Ohm)
Input parameter	–
Post condition	–
TEST CASE RESULTS	CHECK, REACTION
Evaluation	–
Test passed	Level at C/Q during wake-up request less than or equal $V_{THLM_{min}}$
Test failed (examples)	Level at C/Q during wake-up request greater than $V_{THLM_{min}}$
Results	VIM@WURQ (VSM = 20 V): <value> VIM@WURQ (VSM = 30 V): <value>

Prior to design, it is verified that the TIOL111 device can generate the wake-up pulse. In  7 one of the four test options is shown. In this case, the high-side driver is tested with VCC at 30 V. CQ is loaded with a 26-Ω resistor, here the CQ line reaches almost 30 V and the CQ current is larger than 500 mA. So this meets the requirements.

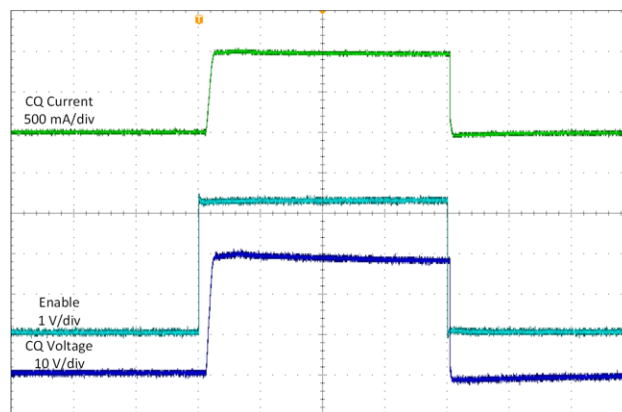
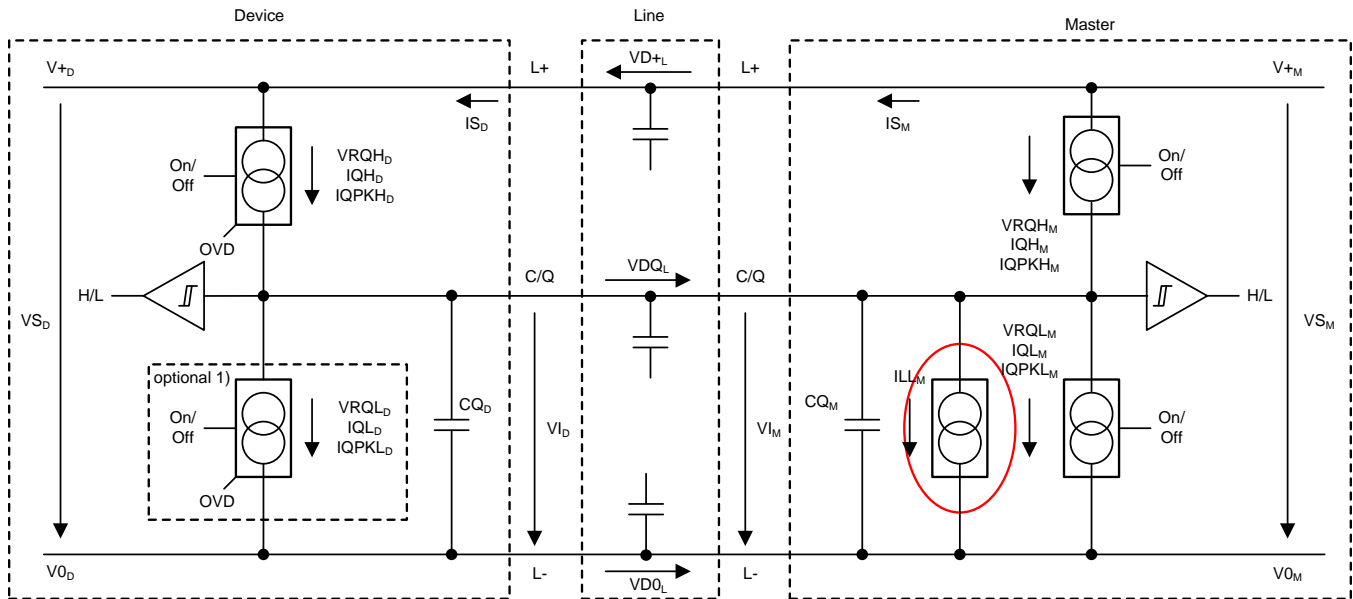


図 7. Test Results of TIOL111 Device Wake-Up Pulse

By design, the TIOL111 device is able to deliver the current necessary for the wake-up pulse, so it can be used as a master PHY.

2.3.2 Current Sink

Beside the wake-up pulse, the master PHY has a second important difference to the device PHY shown in 8. It has to include a current sink. Since the TIOL111 device does not include this in the chip, it is implemented on the board.



8. Block Diagram IO-Link System

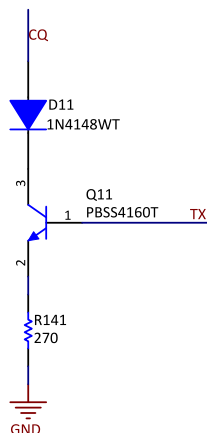
As the excerpt of the specification in 表 4 shows, the current has to be between 5 mA to 15 mA.

表 4. Specification for IO-Link Master Current Sink⁽¹⁾

ILL_M	Load or discharge current for:	0	N/A	15	mA
	$0 V < V_{I_M} < 5 V$	0	N/A	15	mA
	$5 V < V_{I_M} < 15 V$	5	N/A	15	mA
	$15 V < V_{I_M} < 30 V$	5	N/A	15	mA

⁽¹⁾ Currents are compatible with the definition of type 1 digital inputs in IEC 61131-2. However, for the range $5 V < V_{I_M} < 15 V$, the minimum current is 5 mA instead of 2 mA in order to achieve short enough slew rates for pure p-switching devices.

Implementing such a small and tolerable current sink that is only active when the transmitter is disabled can be done with a simple NPN transistor.



9. Simple Current Sink

図 9 shows the schematic. The current sink is controlled by the TX line coming from the MCU and going to the TIOL111 device. Since the logic of the TIOL111 device is inverting and the default level on the TX line is high in idle state, this will enable the current sink whenever the driver is disabled or transmitting a 0 V on the CQ line. So it does not increase the current consumption in normal operation.

2.3.3 Power Supply for L+

An IO-Link master has to power the L+ line with a current capability of at least 200 mA and 400 mA pulse for 50 ms. The specification states this as shown in 表 5.

表 5. Specification for L+ Supply

Property	Designation	Minimum	Typical	Maximum	Unit	Remark
V_{S_M}	Supply voltage for devices	20	24	30	V	See <i>Voltage level definitions in IO-Link Interface and System Specification Version 1.1.2</i>
I_{S_M}	Supply current for devices	200	N/A	N/A	mA	External supply required for > 200 mA
I_{SIR_M}	Current pulse capability for devices	400	N/A	N/A	mA	Master supply current capability for a minimum of 50 ms at 18 V after power-on of the port supply

To supply this, a TPS4H160 device is used. This quad-channel, high-side switch provides a programmable current limit and has a current sense output that is connected to the MCU. So each channel is short-circuit protect and can be observed by the MCU to measure the current on each port and detect faults.

Meeting the requirements for the I_{S_M} is rather easy and can be achieved with any device with a low enough $R_{(DS)on}$. However, the I_{SIR_M} is more difficult to achieve, since the power dissipation from the junction to the ambient is a limiting factor here. When the output is shorted, or a large capacitor has to be charged, the power dissipation in the device is up to $400\text{ mA} \times 30\text{ V} = 12\text{ W}$ for a short time. This can be even more, when the design drives more than the minimum current of 400 mA.

Charging a capacitor on the L+ line with a static load (which is a realistic scenario for an IO-Link device) relaxes this a bit, since the L+ line voltage increases, the voltage drop in the FET decreases and also the power dissipation decreases.

However, since the power does not propagate that fast to the PCB or a heat sink, mainly the package of the device is the limiting factor.

See the *Maximum Device consumption at power-up* table in Section 4.4 of the *IO-Link Package 2015 & Corrigendum Version 1.0* for detailed specifications and the definition of a charge of 400 mA in the first 50 ms after power up, resulting in 20 mAs.

Due to this extension of the specification, the testing of the output on the L+ line is defined to be a large capacitor of 1000 μF in parallel with a 150- Ω resistor. This load simulates a device with a static load and a large input capacitor.

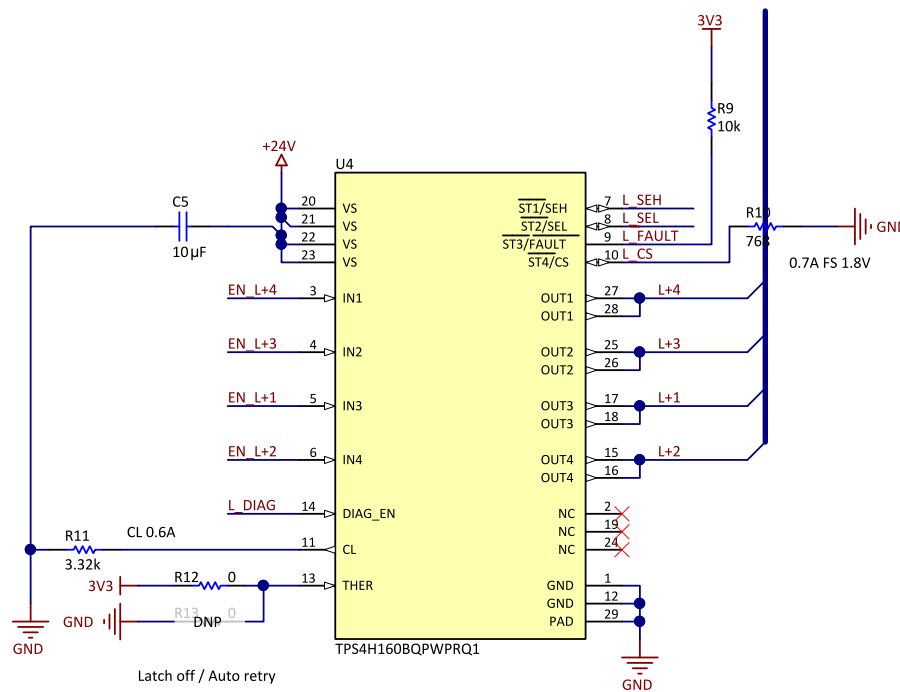


図 10. High-Side Switch Schematic

The high-side switch is configured to limit the current at 0.6 A. This current is selected to meet the requirements for the turn on behavior. At a higher current, the package cannot handle the power dissipation during charging the capacitor and the device switches off to cool down and restart again.

The current sense is configured to go up to 0.7 A at a maximum output voltage of 1.8 V (which is given by the ADC in the AM4379 device on the IDK used here). This results in the schematic seen in 図 10. The TPS4H160 device can be set to two different behaviors after a thermal error occurred: it can switch off or retry automatically, here it is configured to switch off until it is enabled again.

If other requirements are necessary or a turn on behavior with interruption is acceptable, a higher current of 1 A per port is feasible and working when turned on.

2.3.4 Power Supply

The IO-Link master is powered by 24 V. Since this design uses the AM437x IDK, which is also powered with 24 V, it is possible to power both boards with either one power supply or with two different 24-V supplies. However it is necessary to set the jumpers on the adapter board accordingly.

When the power supply is connected to the IDK and the IO-Link master should be powered through this, J7 on the adapter has to be shorted. The user has to take care that the total current is limited to 0.5 A on all ports. This configuration is not tested and not recommended.

The recommended way is to power the IDK through the adapter board, therefore one 24-V power supply should be connected either to J5 or J8. Jumpers J6 and J9 have to be shorted. To supply the IDK, J7 has to be shorted as well. When a separate power supply is used for the IDK, J7 has to be open.

表 6. Power Jumper Settings

Configuration	Power Supply	J6, J9	J7
Powered through IDK	Connected to IDK only	Open	Short
Powered through adapter	Connected to either J8 or J5	Short	Short
Separate power supplies	Connected to IDK and J8 or J5	Short	Open

The TLC59282 device, as well as the TIOL111 device need a 3.3-V supply. To not load the voltage regulator of the IDK, an additional LM5165 device is on the adapter board providing the required voltage. To ensure that the IO-Link master drives no signals to the IDK before all voltages there are stable, the LM5165 device will be turned on by the 3.3 V from the IDK.

2.3.5 Pinouts

The IO-Link master expansion for the AM437x IDK is connected through the two pin headers on the IDK. To get some of the necessary signals to the header modifications on the board are necessary. 図 11 shows the pinout, the modifications are listed in 表 7.

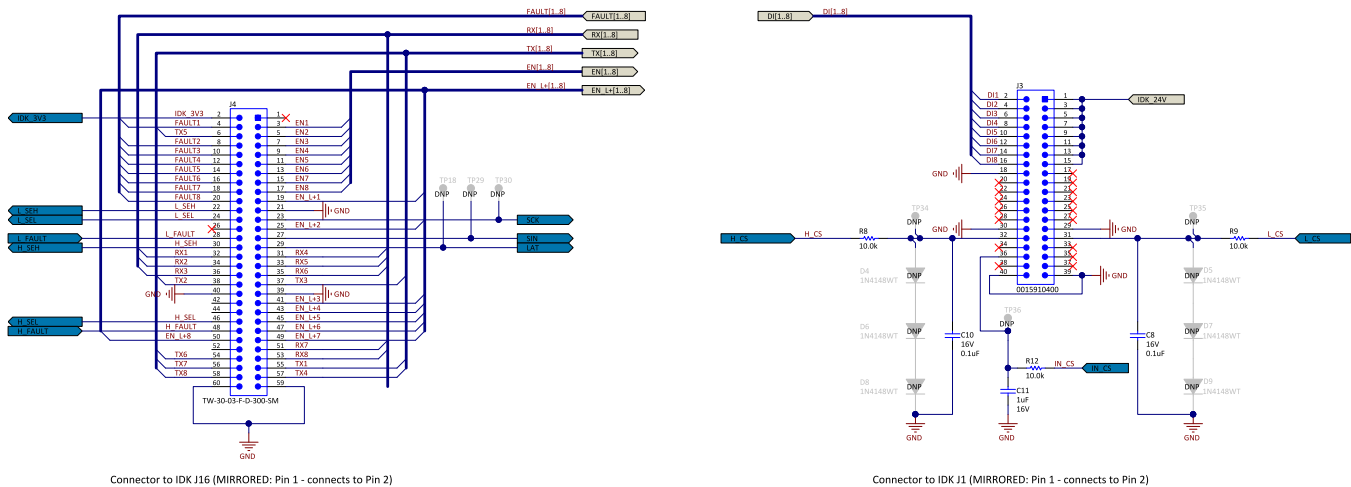
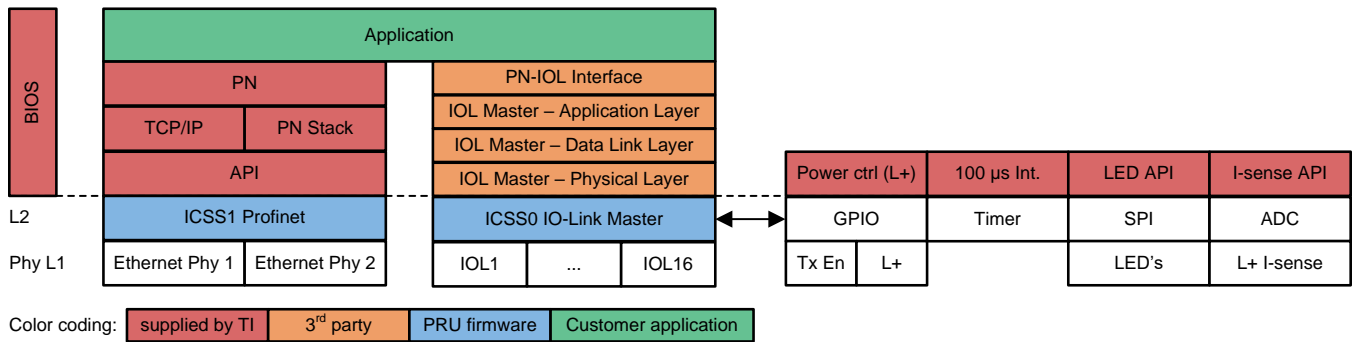


図 11. Pinout of the IO-Link® Board Connected to the IDK

表 7. Modifications

Pin	Signal	Remove	Add
J16 - 5	TX4	R187, R264	Wire from R187 to R264 (J16-5)
J16 - 23	GPIO5_20	-	10-kΩ resistor R343
J16 - 34	RX4	R541	-
J16 - 36	RX5	R541	-
J16 - 49	GPIO2_12	R406	-
J16 - 52	RX6	R541	-
J16 - 53	TX5	R179, R465	Wire from R179 to R465 (J16-53)
J16 - 54	RX7	R541	-
J16 - 55	TX6	R177, R471	Wire from R177 to R471 (J16-55)
J16 - 57	TX7	R70, R468	Wire from R70 to R468 (J16-57)
J1 - 31	AIN0	R454	0-Ω resistor R450
J1 - 32	AIN4	R109	0-Ω resistor R104
J1 - 35	AIN2	R561	0-Ω resistor R435

2.4 Software Frame Handler



☒ 12. PRU-ICSS IO-Link® Master Project

☒ 12 shows the simplified structure of the PRU-ICSS IO-Link master project. It can be grouped into six independent parts:

- The PRU firmware which is the core component of the project and does the frame handling. It is basically a multichannel UART implementation with enhanced functionality.
- The IO-Link driver which is located between the PRU firmware and the different layers of the third-party supplied stack
- Additional TI-supplied RTOS driver functionality for IO-Link master specific features like power- and LED control
- The third-party supplied stack
- A customer specified application
- An optional second interface like Profinet (may be supplied by TI)

2.4.1 PRU-ICSS IO-Link® Frame-Handler

The IO-Link frame-handler is the core software component of the design. It replaces hardware UARTs by a software implementation and eliminates the need for external processing hardware.

2.4.1.1 Performance Advantages and Benefits

The Programmable Real-time Unit and Industrial Communication Sub-System (PRU-ICSS) hardware allows the user to write and run highly-predictable and deterministic software which is able to replace many solutions which are too time critical for a usual microcontroller. This hardware-like behavior enables the eight channel IO-Link master to react very fast and almost free of jitter.

The IO-Link frame-handler requires one PRU per eight channels and can provide 16 channels per ICSS. The often available second ICSS can be used to process something else like real-time Ethernet.

2.4.1.2 Principle of Operation

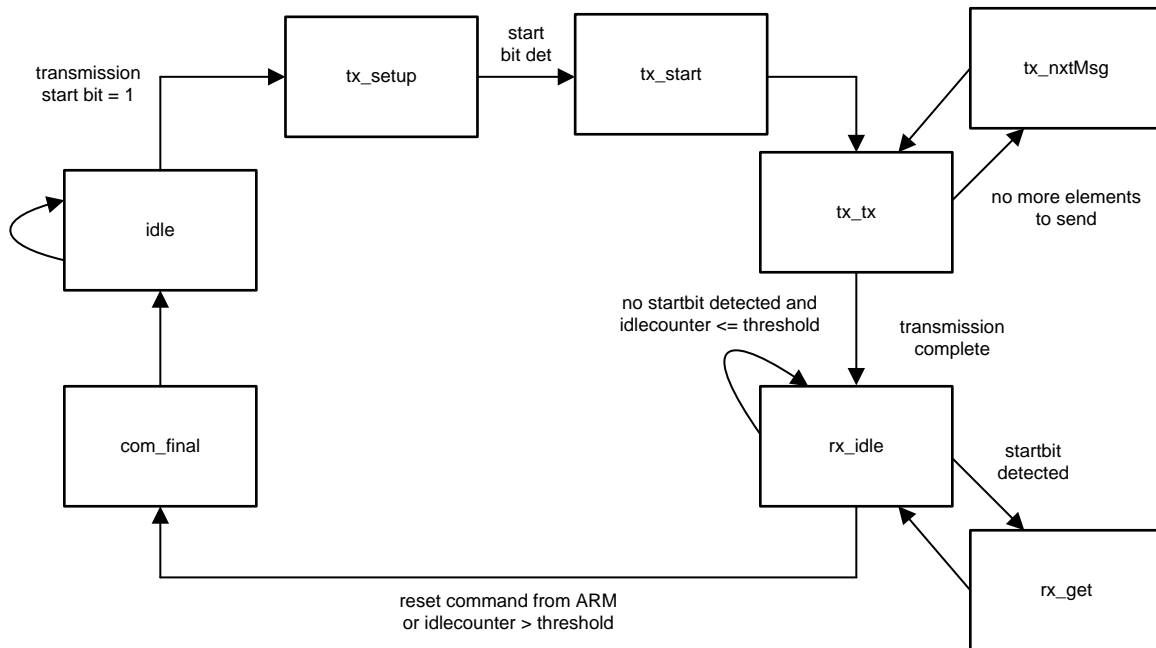


図 13. State Machine of the Frame-Handler Simplified Overview

図 13 shows an overview of the state machine of the frame-handler. This is by no means a complete description of the firmware but an illustration of the communication cycle.

The frame-handler is started by the “transmission start bit” which will trigger a new transmission of the selected transmit buffer. It will then transmit until the transmit buffer pointer has reached the last byte of the ongoing transmission. The end of the transmission will force a state change to the receive state which will receive data until the transmission is complete. A transmission can be completed with errors or without errors. These errors will just be reported by status bits. Error reactions and countermeasures are the responsibility of the IO-Link master stack. A completed communication cycle is indicated by bit-flags and an optional interrupt.

3 Hardware, Software, Testing Requirements, and Test Results

3.1 Required Hardware and Software

3.1.1 Hardware

To get started, the two IO-Link master boards have to be stacked together and have to be stacked to the AM437x IDK. A 24-V, 5-A power supply has to be connected to J8 or J5. Jumpers J6, J7, and J9 on the adapter board have to be shorted. In [Figure 14](#) the related jumpers and connectors are shown. The LEDs for 24 V and 3.3 V should light up, when the corresponding voltage is present. In normal operation both LEDs will light.

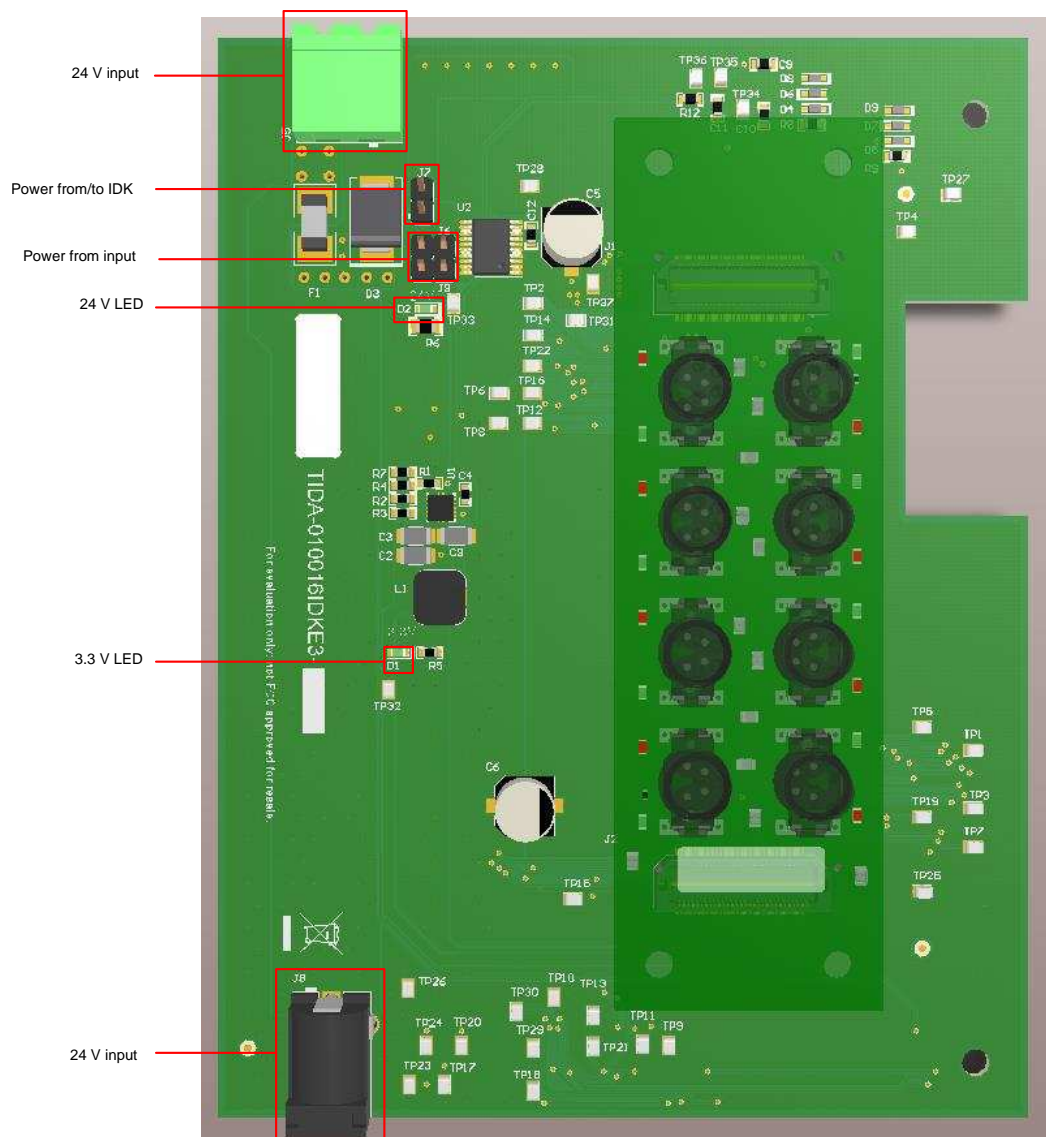


図 14. Power Connectors and Jumpers

3.1.2 Software

For simple testing, the corresponding GPIOs can be tied manually to the necessary level. For full IO-Link operation, a frame-handler is implemented on the PRU and an IO-Link stack is running on the ARM core.

3.2 Testing and Results

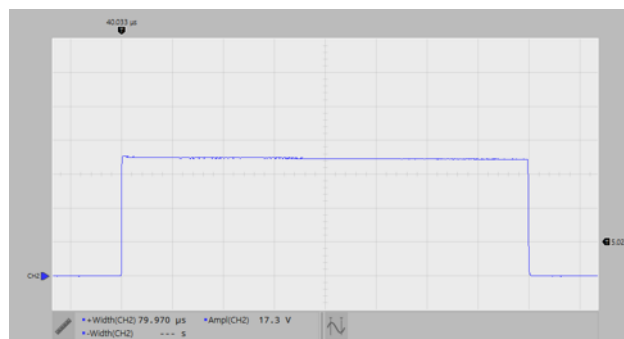
3.2.1 Test Setup

To test the different physical parameters, the IO-Link board is connected to 24-V supply without the IDK. The necessary signals for each test are explained in the following sections.

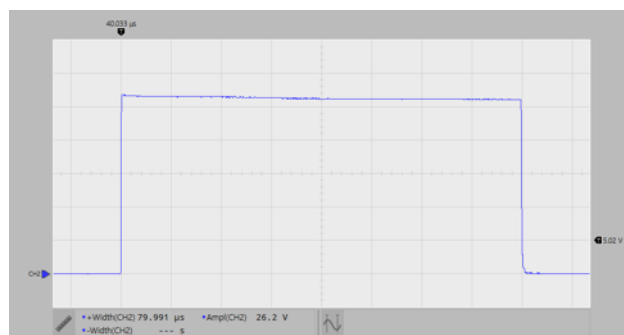
3.2.2 Test Results

3.2.2.1 IO-Link® Wake-Up Pulse

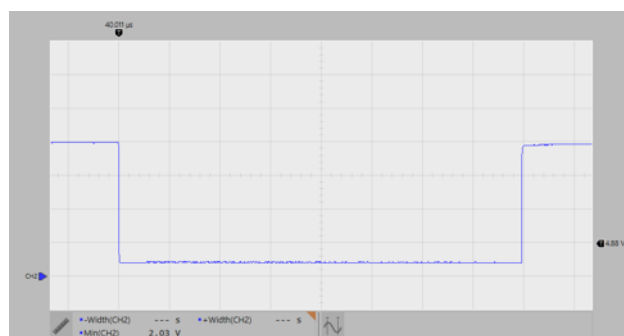
As previously described, the PHY must deliver a wake-up pulse of 80 μ s and 500 mA. To test this, the enable signal is tied to 3.3 V and the TX signal is supplied from a function generator. This test is repeated with different polarities, loads, and voltages.



⊠ 15. Testcase TCM_PHYL_INTF_IQWUH: High-Side Driver, Load = 26 Ω , 20-V Supply, 5 V/div, 10 μ s/div



⊠ 16. Testcase TCM_PHYL_INTF_IQWUH: High-Side Driver, Load = 26 Ω , 30-V Supply, 5 V/div, 10 μ s/div



⊠ 17. Testcase TCM_PHYL_INTF_IQWUL: Low-Side Driver, Load = 24 Ω , 20-V Supply, 5 V/div, 10 μ s/div

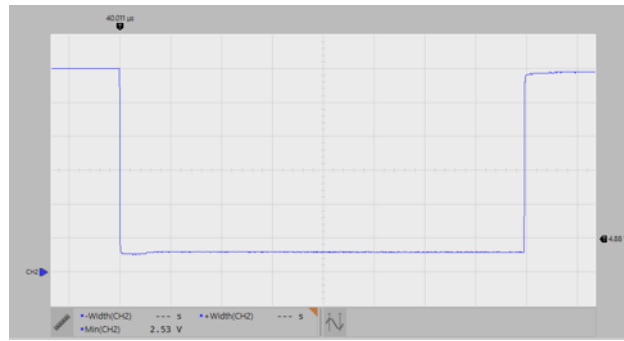


Figure 18. Testcase TCM_PHYL_INTF_IQWUL: Low-Side Driver, Load = 44 Ω, 30-V Supply, 5 V/div, 10 μs/div

As Figure 15 through Figure 18 show, the TIOL111 device passes the tests.

3.2.2.2 L+ Turnon Behavior

The turn on of the L+ line is tested by applying a capacitor of 1000 μF, shorted by 150-Ω resistive load. The IO-Link master has to deliver at least 400 mA for 50 ms to pass this test. This load simulates a IO-Link device with a large input capacitor and a static load.

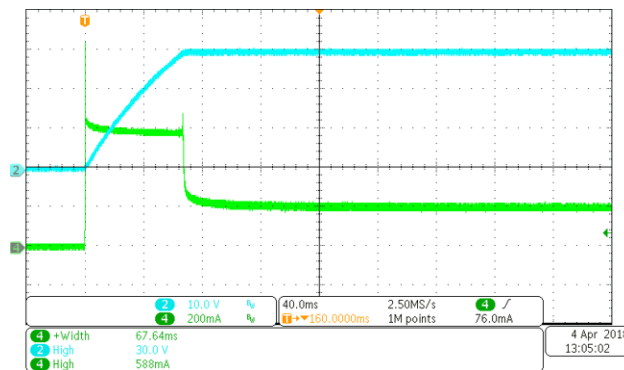


Figure 19. Testcase TCM_PHYL_INTF_ISIRM: – Power-On Supply Current Capability

Figure 19 shows the test results. Channel 2 shows the voltage on the L+ line, channel 4 shows the current on L+. As the load is capacitive and resistive, at the beginning the current is limited to 600 mA by the high-side switch, for about 70 ms. After this time, the resistive load remains and draws a current of 200 mA. Since this energy is more than the necessary $400 \text{ mA} \times 50 \text{ ms} = 20 \text{ mJ}$, this test is passed.

However, different IO-Link master implementations behave very different in this test.

3.2.2.3 Current Sink on CQ

To test the current sink, the port to test has to be defined as input. Therefore, the enable signal of the TIOL111 device is tied low, and the TX signal has to be at 3.3 V to enable the current sink. A variable voltage is then applied on the CQ line of the port. The testcase TCM_PHYL_INTF_ILLM defines the test procedure. It is necessary, that the current is below 15 mA below 5.1 V and from 5 to 15 mA for voltage from 5.1 V up to 30 V.

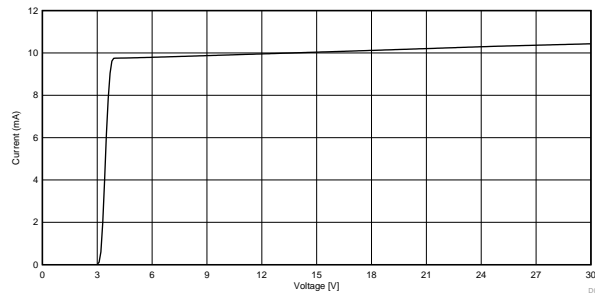


図 20. Input Current on the CQ Line

As the current of the sink is within the given range, the test is passed.

3.2.2.4 Residue Voltage

The test case TCM_PHYL_INTF_IQPKHM tests the voltage drop on the high side of the IO-Link PHY during the wake-up pulse. Therefore the CQ line is loaded with 26 Ω and the wake-up pulse is generated. The voltage on the CQ line has to exceed 13 V to pass this test. This test is done with a L+ voltage of 20 V and 30 V.

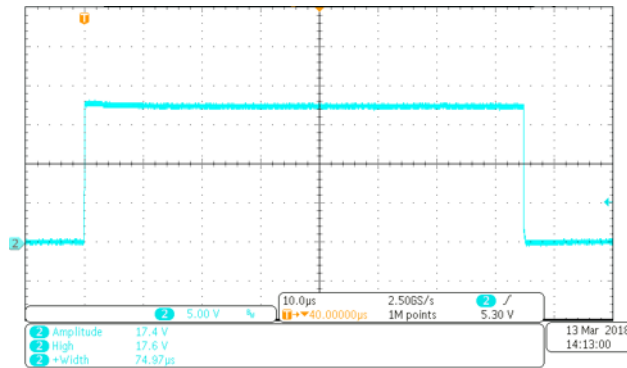


図 21. Testcase TCM_PHYL_INTF_IQPKHM: Wake-Up Current High Side - 20 V L+ Resulting in 17.4 V

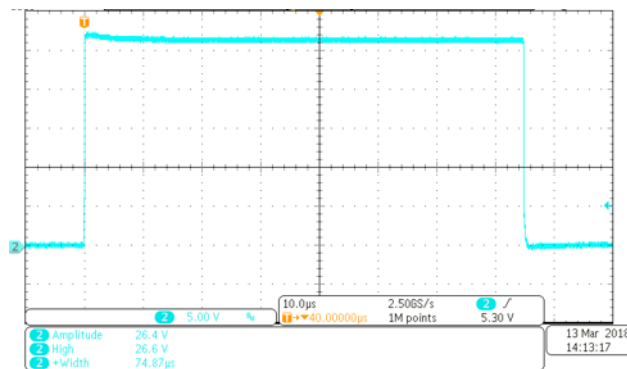


図 22. Testcase TCM_PHYL_INTF_IQPKHM: Wake-Up Current High Side - 30 V L+ Resulting in 26.4 V

As 図 21 and 図 22 show, the voltage is above 13 V, so the test of the high-side driver is passed.

The next relevant test case is TCM_PHYL_INTF_IQPKLM. This test is similar than before, but testing the low-side switch. Therefore the load is 24 Ω for 20 V L+ voltage and 44 Ω for 30 V. The resistor must be connected between L+ and CQ to test the low side. The voltage has to be below 8 V to pass this test.

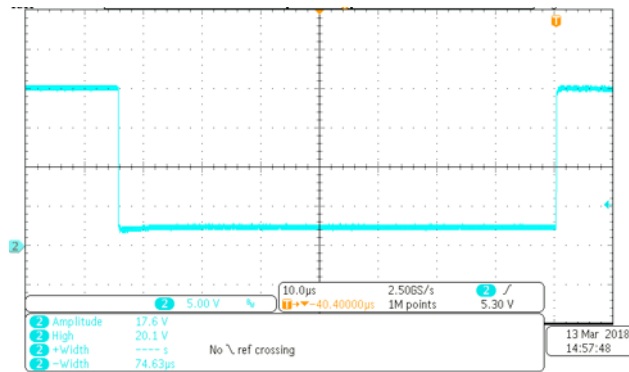


図 23. Testcase TCM_PHYL_INTF_IQPKLM: Wake-Up Current Low Side - 20 V L+ Resulting in 2 V

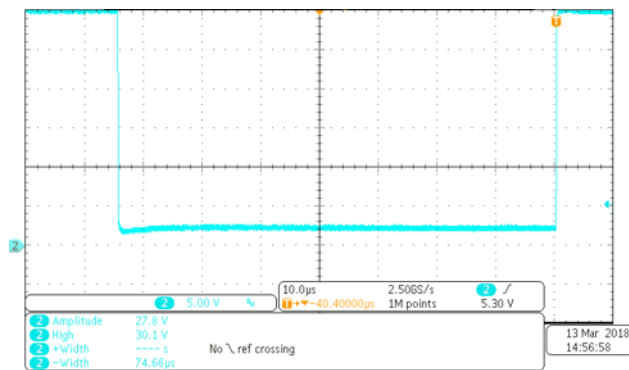


図 24. Testcase TCM_PHYL_INTF_IQPKLM: Wake-Up Current Low Side - 30 V L+ Resulting in 2 V

So all the tests for the current capability during the wake-up pulse are passed.

3.2.2.5 IO-Link® Physical Layer Test Summary

表 8 lists the physical layer test summary and results.

表 8. IO-Link® Physical Layer Test

ID	Name	Configuration	Specification (Clause)	Comment	Result
SDCI_TC_0001	TCM_PHYL_INTF_ISM	The supply current at the Master port is monitored.	See Section 5.3.2.3, Table 6 in <i>IO-Link Interface and System Specification Version 1.1.2</i>	Test with 200 mA	20 V: Pass 30 V: Pass
SDCI_TC_0002	TCM_PHYL_INTF_ISIRM	The supply current at the Master port is monitored.		Test with 500 mA	20 V: Pass 30 V: Pass
SDCI_TC_0003	TCM_PHYL_INTF_ILLM	The input current at C/Q at the Master port is monitored.		ILLM (VIM = 5 V, VSM = 20 V): 9.77 mA Pass ILLM (VIM = 5,1 V, VSM = 20 V): 9.77 mA Pass ILLM (VIM = 15 V, VSM = 20 V): 10.04 mA Pass ILLM (VIM = VSM = 20 V): 10.17 mA Pass ILLM (VIM = 5 V, VSM = 30 V): 9.77 mA Pass ILLM (VIM = 5,1 V, VSM = 30 V): 9.77 mA Pass ILLM (VIM = 15 V, VSM = 30 V): 10.04 mA Pass ILLM (VIM = VSM = 30 V): 10.43 mA Pass	
SDCI_TC_0004	TCM_PHYL_INTF_VRESHigh	The output level at the Master C/Q output is measured.		VRQHM (VSM = 20 V): 1.003 V VRQHM (VSM = 30 V): 1.002 V Pass	
SDCI_TC_0005	TCM_PHYL_INTF_VRESLOW	The output level at the Master C/Q output is measured.		VRQLM (VSM = 20 V): 0.984 V VRQLM (VSM = 30 V): 0.983 V Pass	
SDCI_TC_0006	TCM_PHYL_INTF_VTHHM	The digital input signal for C/Q input is monitored	See Section 5.3.2.2, Table 5 in <i>IO-Link Interface and System Specification Version 1.1.2</i>	VIM@VTHHM (VSM = 20 V): 11.47 V VIM@VTHHM (VSM = 30 V): 11.47 V Pass	
SDCI_TC_0007	TCM_PHYL_INTF_VTHLM	The digital input signal for C/Q input is monitored		VIM@VTHLM (VSM = 20 V): 10.75 V VIM@VTHLM (VSM = 30 V): 10.75 V Pass	
SDCI_TC_0008	TCM_PHYL_INTF_VHYSM	Comparison of values from SDCI_TC_0006 and SDCI_TC_0007		VHYSM (VSM = 20 V): 0.72 V VHYSM (VSM = 30 V): 0.72 V Pass	
SDCI_TC_0009	TCM_PHYL_INTF_IQPKHM	The output level at the Master C/Q output is measured.		VIM (VSM = 20 V): 17.4 V VIM (VSM = 30 V): 26.4 V Pass	
SDCI_TC_0010	TCM_PHYL_INTF_IQPKLM	The output level at the Master C/Q output is measured.	See Section 5.3.2.3, Table 6 in <i>IO-Link Interface and System Specification Version 1.1.2</i>	VIM (VSM = 20 V): 2.2 V VIM (VSM = 30 V): 2.2 V Pass	
SDCI_TC_0299	TCM_PHYL_INTF_VOLTRAN GECQ	Test if working after connecting CQ to 0 V and 30 V via 1 Ω	See Section 5.3.2.2, Table 5 - VIL and VIH, in <i>IO-Link Interface and System Specification Version 1.1.2</i>		Pass
SDCI_TC_0021	TCM_PHYL_INTF_IQWUH		See Section 5.3.3.3, Table 9 in <i>IO-Link Interface and System Specification Version 1.1.2</i>	Wake-up pulse from function generator	VIM@WURQ (VSM = 20 V): 17.3 V VIM@WURQ (VSM = 30 V): 26.2 V Pass
SDCI_TC_0022	TCM_PHYL_INTF_TWUH			Wake-up pulse from function generator	TWUH@WURQ (VSM = 20 V): 80 μs TWUH@WURQ (VSM = 30 V): 80 μs Pass
SDCI_TC_0023	TCM_PHYL_INTF_IQWUL			Wake-up pulse from function generator	VIM@WURQ (VSM = 20 V): 2 V VIM@WURQ (VSM = 30 V): 2.5 V Pass
SDCI_TC_0024	TCM_PHYL_INTF_TWUL			Wake-up pulse from function generator	TWUL@WURQ (VSM = 20 V): 80 μs TWUL@WURQ (VSM = 30 V): 80 μs Pass

3.2.2.6 Current Sense on Each Port

To test the current sense of the TPS4H160 device, each channel is selected by setting the select pins accordingly, the device is powered with 24 V and every channel is loaded with an adjustable current sink. The current sense output is connected to a voltmeter. One channel at a time is tested and the results are plotted in [Figure 25](#) and [Figure 26](#).

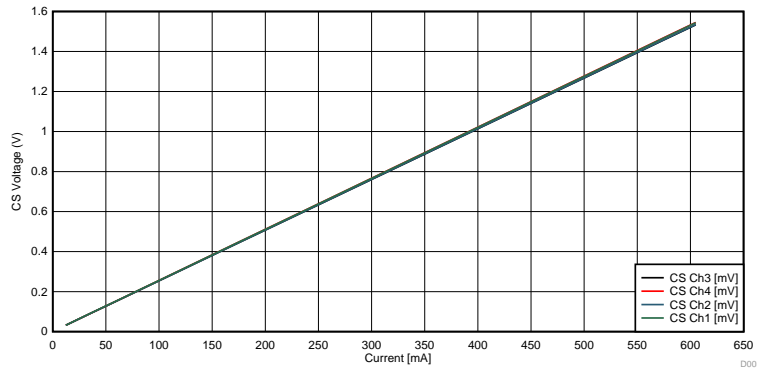


Figure 25. Output Voltage of TPS4H160 vs Current

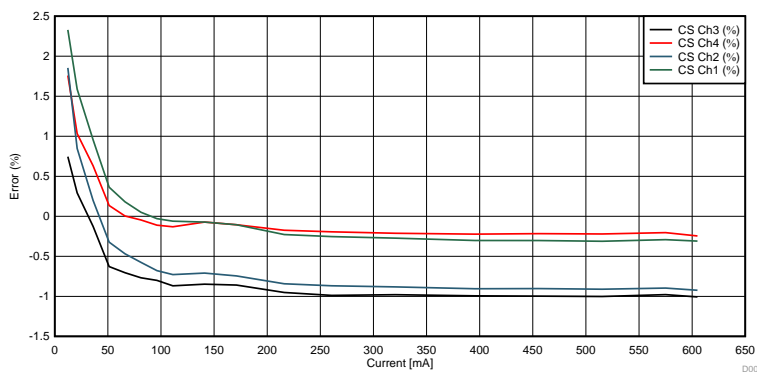
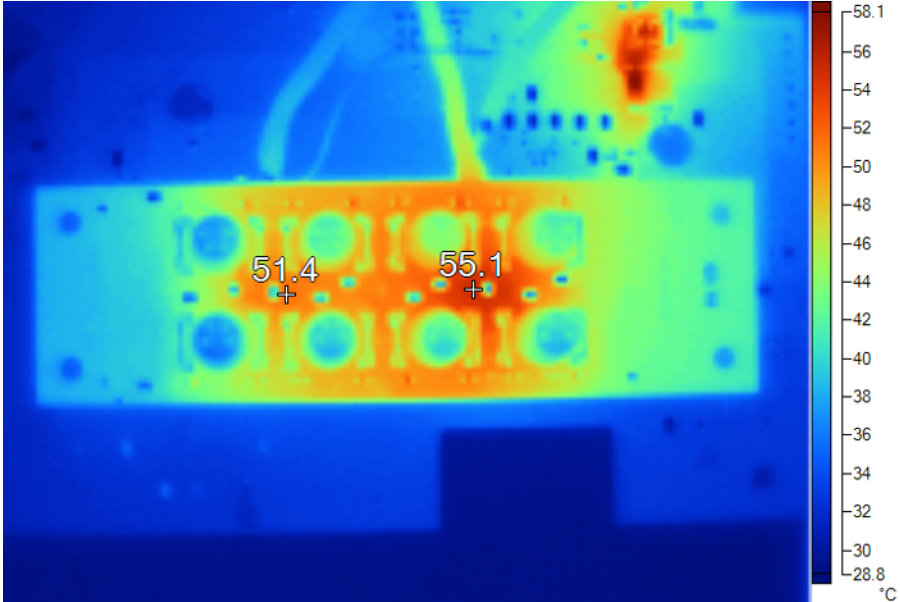


Figure 26. Error of Current Measurement

The error is calculated by converting the output voltage to a current: $I[\text{mA}] = 300 / 768 \times U \times 1000$. The error can then be calculated by $E[\%] = (I_{\text{TPS}} - I_{\text{is}}) / I_{\text{is}}$.

3.2.2.7 TPS4H160 Thermal Behavior

The TPS4H160 device is loaded with 1 A per port and all 8 ports are switched on.  27 shows the thermal image of the board at room temperature. The design is also able to handle 1 A without overheating at 85 °C ambient temperature.

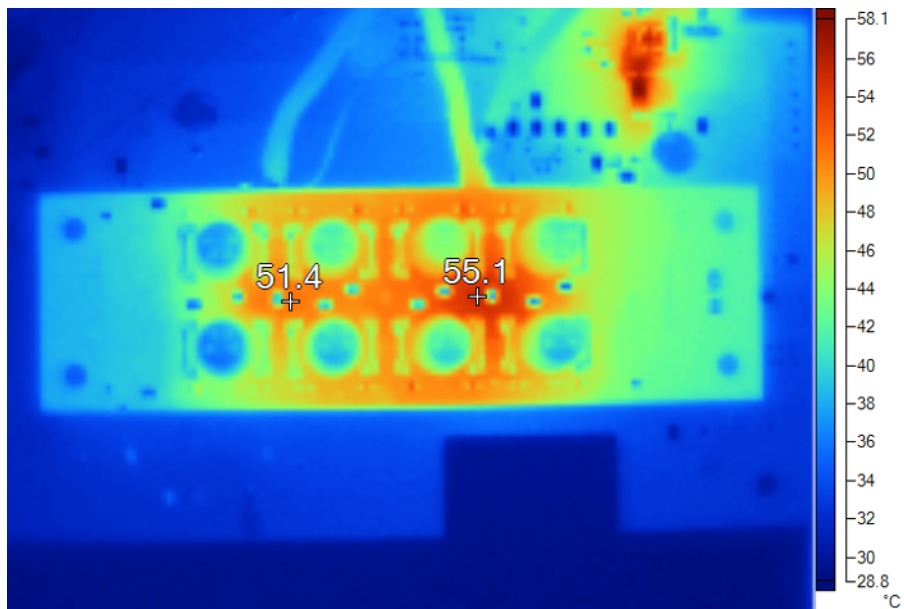


図 27. IO-Link® Master Thermal Image at 1-A Load per Port

4 Design Files

4.1 Schematics

To download the schematics, see the design files at [TIDA-010016](#).

4.2 Bill of Materials

To download the bill of materials (BOM), see the design files at [TIDA-010016](#).

4.3 PCB Layout Recommendations

4.3.1 Layout Prints

To download the layer plots, see the design files at [TIDA-010016](#).

4.4 Altium Project

To download the Altium Designer® project files, see the design files at [TIDA-010016](#).

4.5 Gerber Files

To download the Gerber files, see the design files at [TIDA-010016](#).

4.6 Assembly Drawings

To download the assembly drawings, see the design files at [TIDA-010016](#).

5 Software Files

To download the software files, see the design files at [TIDA-010016](#).

6 Related Documentation

1. IO-Link Consortium, [IO-Link Test Specification Version 1.1.2](#)
2. IO-Link Consortium, [IO-Link Interface and System Specification Version 1.1.2](#)
3. IO-Link Consortium, [IO-Link Package 2015 & Corrigendum Version 1.0](#)
4. Texas Instruments, [Selecting the right industrial communications standard for sensors](#)

6.1 商標

E2E is a trademark of Texas Instruments.

Altium Designer is a registered trademark of Altium LLC or its affiliated companies.

IO-Link is a registered trademark of Profibus User Organization.

すべての商標および登録商標はそれぞれの所有者に帰属します。

7 About the Author

STEFFEN GRAF is a systems engineer at Texas Instruments, where he is responsible for developing reference design solutions for the industrial segment. He earned his master of science in electrical engineering at the University of applied science in Darmstadt, Germany.

改訂履歴

資料番号末尾の英字は改訂を表しています。その改訂履歴は英語版に準じています。

Revision A (November 2018) から Revision B に変更 Page

- *scaleable*を*scalable*に変更 1
-

2018年7月発行のものから更新 Page

- O-Link to IO-Link 変更 2
 - data in 表 4 変更 13
-

重要なお知らせと免責事項

TI は、技術データと信頼性データ(データシートを含みます)、設計リソース(リファレンス・デザインを含みます)、アプリケーションや設計に関する各種アドバイス、Web ツール、安全性情報、その他のリソースを、欠陥が存在する可能性のある「現状のまま」提供しており、商品性および特定目的に対する適合性の黙示保証、第三者の知的財産権の非侵害保証を含むいかなる保証も、明示的または黙示的にかかわらず拒否します。

これらのリソースは、TI 製品を使用する設計の経験を積んだ開発者への提供を意図したものです。(1) お客様のアプリケーションに適した TI 製品の選定、(2) お客様のアプリケーションの設計、検証、試験、(3) お客様のアプリケーションが適用される各種規格や、その他のあらゆる安全性、セキュリティ、またはその他の要件を満たしていることを確実にする責任を、お客様のみが単独で負うものとします。上記の各種リソースは、予告なく変更される可能性があります。これらのリソースは、リソースで説明されている TI 製品を使用するアプリケーションの開発の目的でのみ、TI はその使用をお客様に許諾します。これらのリソースに関して、他の目的で複製することや掲載することは禁止されています。TI や第三者の知的財産権のライセンスが付与されている訳ではありません。お客様は、これらのリソースを自身で使用した結果発生するあらゆる申し立て、損害、費用、損失、責任について、TI およびその代理人を完全に補償するものとし、TI は一切の責任を拒否します。

TI の製品は、TI の販売条件 (www.tij.co.jp/ja-jp/legal/termsofsale.html)、または ti.com やかかる TI 製品の関連資料などのいずれかを通じて提供する適用可能な条項の下で提供されています。TI がこれらのリソースを提供することは、適用される TI の保証または他の保証の放棄の拡大や変更を意味するものではありません。

Copyright © 2019, Texas Instruments Incorporated
日本語版 日本テキサス・インスツルメンツ株式会社

重要なお知らせと免責事項

TI は、技術データと信頼性データ(データシートを含みます)、設計リソース(リファレンス・デザインを含みます)、アプリケーションや設計に関する各種アドバイス、Web ツール、安全性情報、その他のリソースを、欠陥が存在する可能性のある「現状のまま」提供しており、商品性および特定目的に対する適合性の黙示保証、第三者の知的財産権の非侵害保証を含むいかなる保証も、明示的または黙示的にかかわらず拒否します。

これらのリソースは、TI 製品を使用する設計の経験を積んだ開発者への提供を意図したものです。(1) お客様のアプリケーションに適した TI 製品の選定、(2) お客様のアプリケーションの設計、検証、試験、(3) お客様のアプリケーションが適用される各種規格や、その他のあらゆる安全性、セキュリティ、またはその他の要件を満たしていることを確実にする責任を、お客様のみが単独で負うものとします。上記の各種リソースは、予告なく変更される可能性があります。これらのリソースは、リソースで説明されている TI 製品を使用するアプリケーションの開発の目的でのみ、TI はその使用をお客様に許諾します。これらのリソースに関して、他の目的で複製することや掲載することは禁止されています。TI や第三者の知的財産権のライセンスが付与されている訳ではありません。お客様は、これらのリソースを自身で使用した結果発生するあらゆる申し立て、損害、費用、損失、責任について、TI およびその代理人を完全に補償するものとし、TI は一切の責任を拒否します。

TI の製品は、TI の販売条件 (www.tij.co.jp/ja-jp/legal/termssofsale.html)、または ti.com やかかる TI 製品の関連資料などのいずれかを通じて提供する適用可能な条項の下で提供されています。TI がこれらのリソースを提供することは、適用される TI の保証または他の保証の放棄の拡大や変更を意味するものではありません。

Copyright © 2019, Texas Instruments Incorporated
日本語版 日本テキサス・インスツルメンツ株式会社